

M O D E R N

RANGE HOOD SHOP DRAWINGS

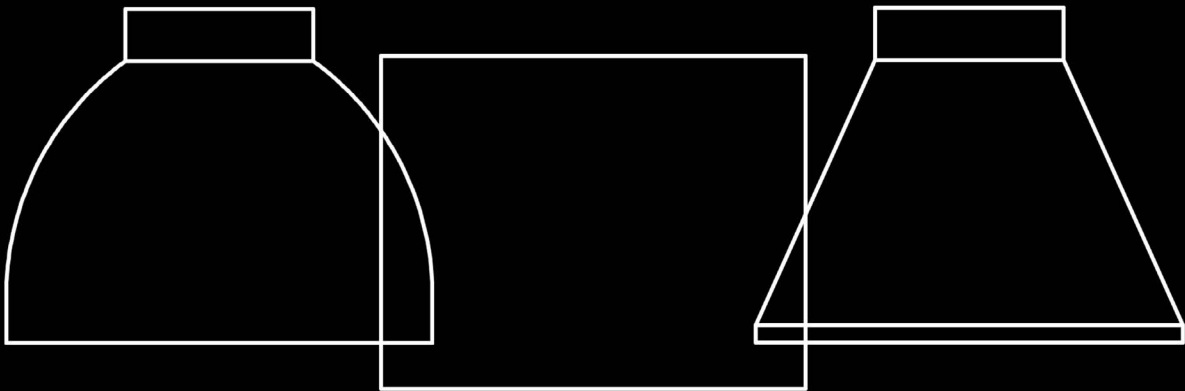
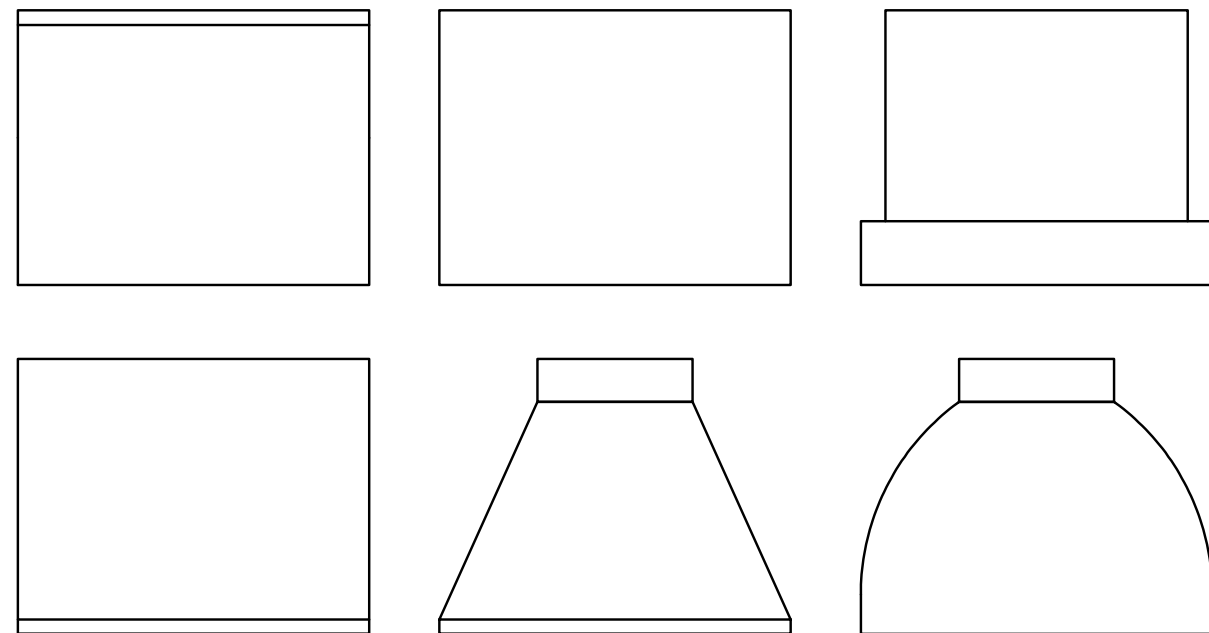
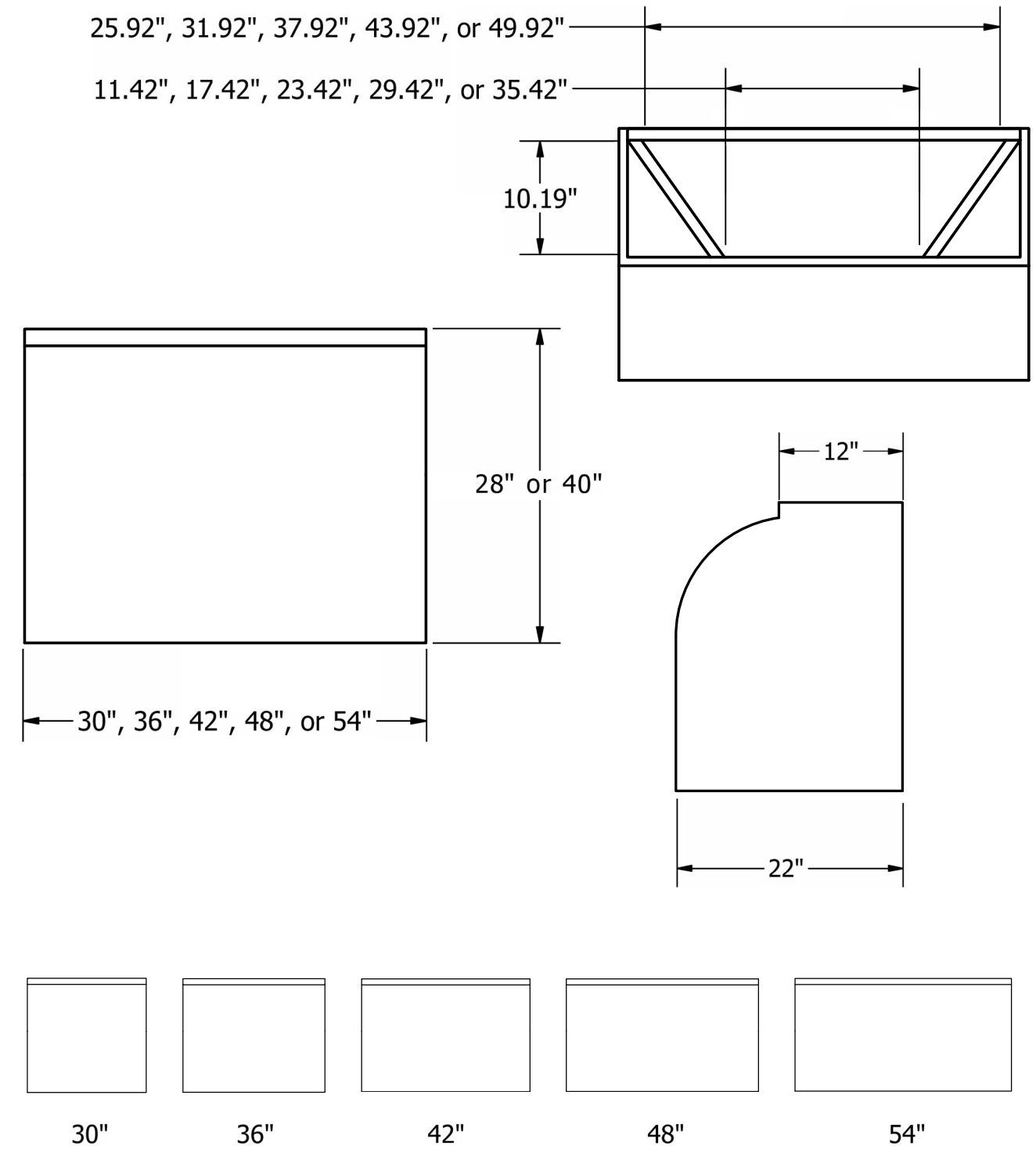


TABLE OF CONTENTS

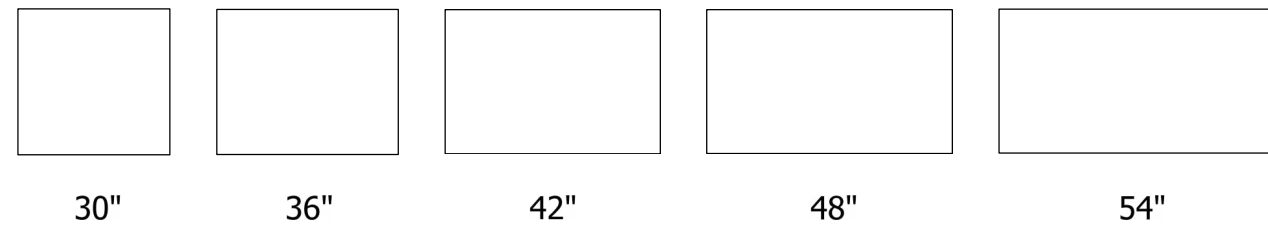
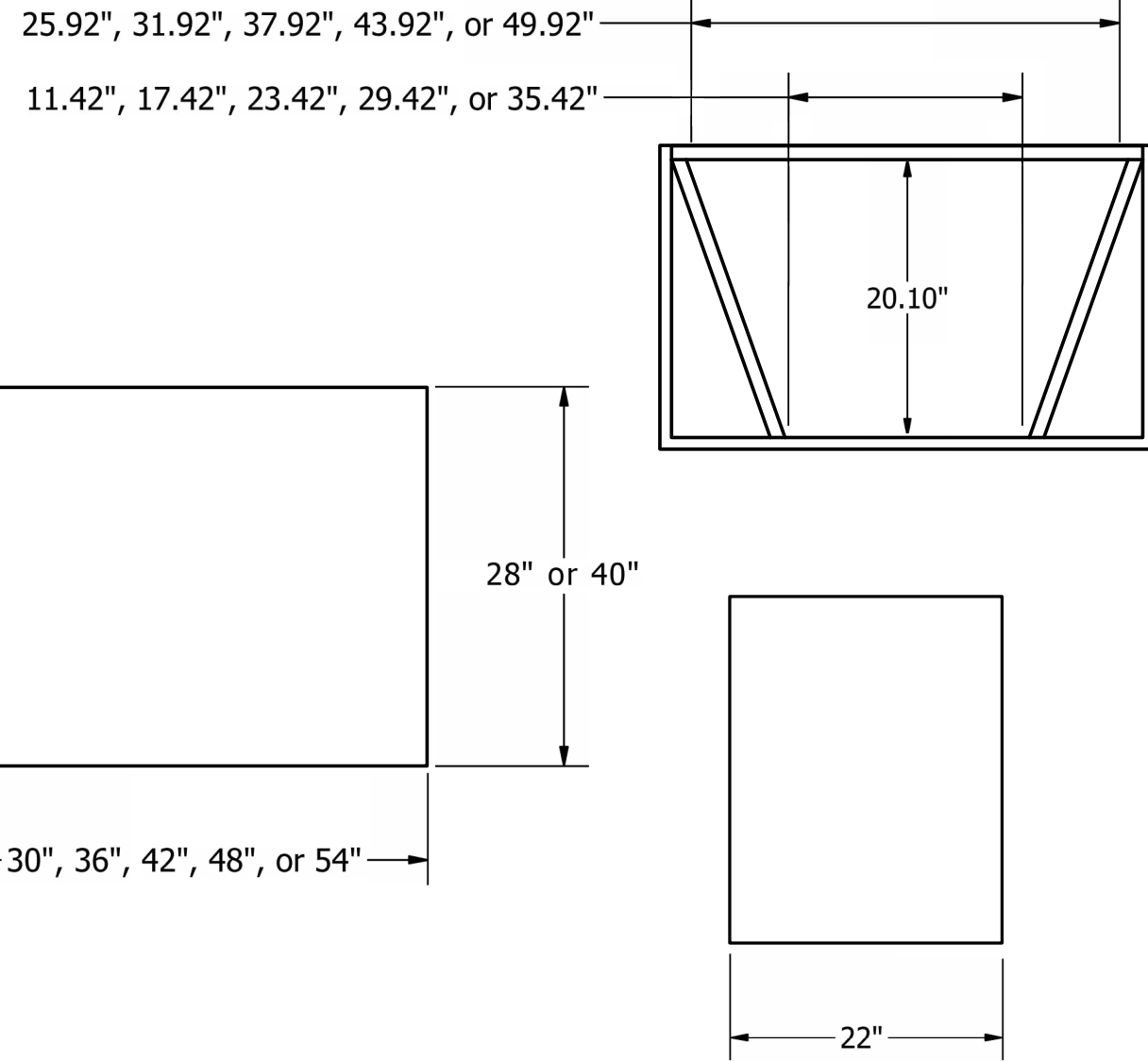
- BISTRO 01
- BOX 02
- CAPSTONE 03
- DELTA 04
- PYRAMID 05
- SUMMIT 06
- MOUNTING STRUCTURE 07
- METAL FINISHES 08
- VENTILATION 09



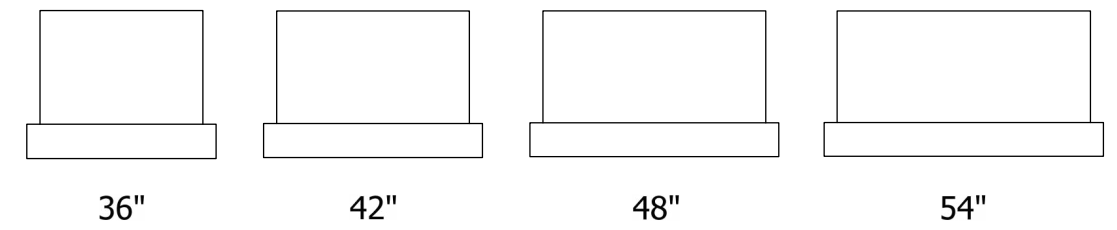
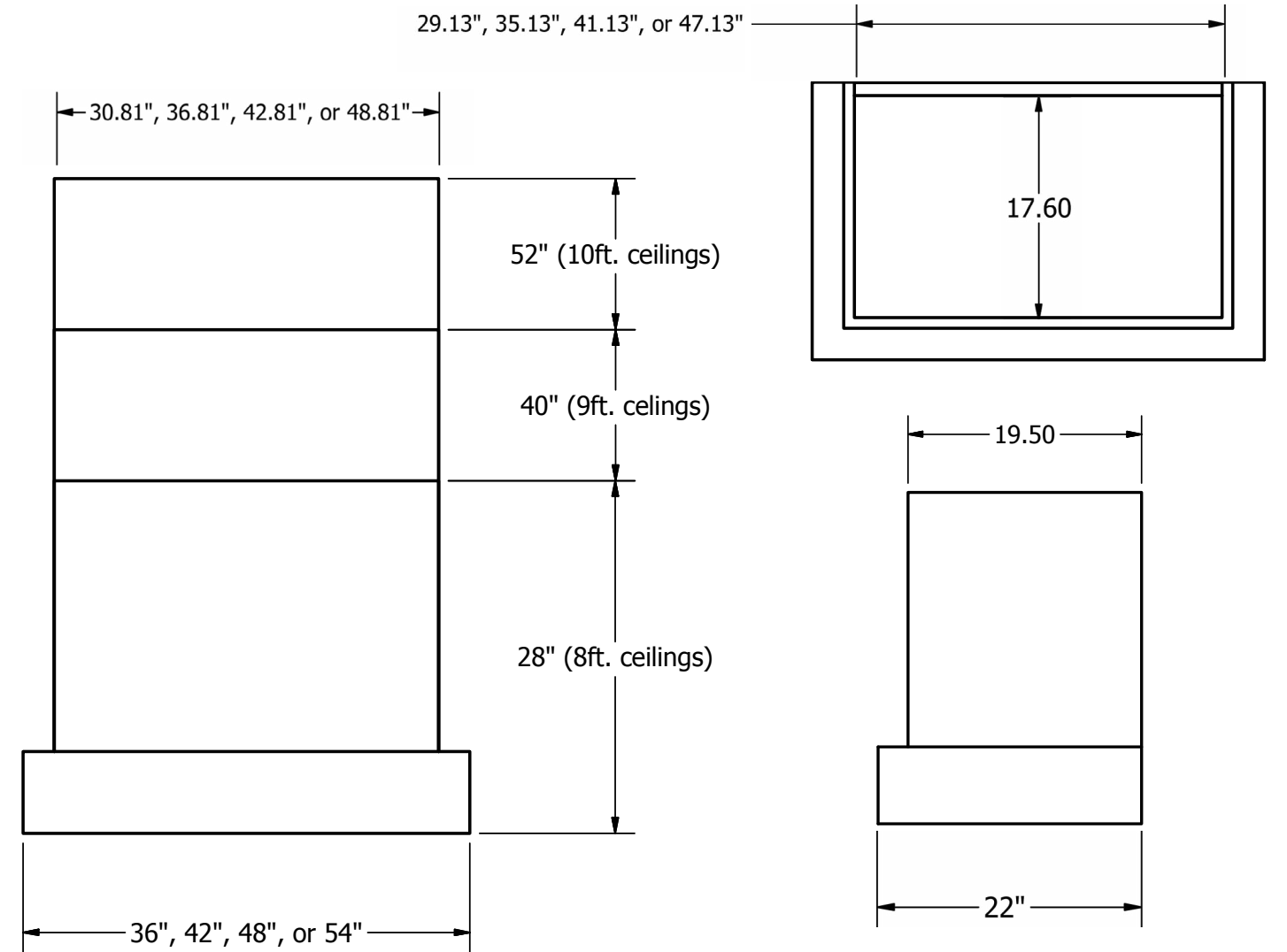
Hoods are shown alphabetically by body shape



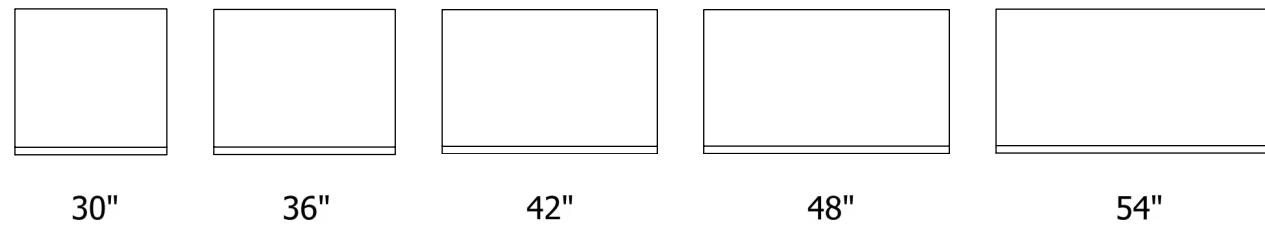
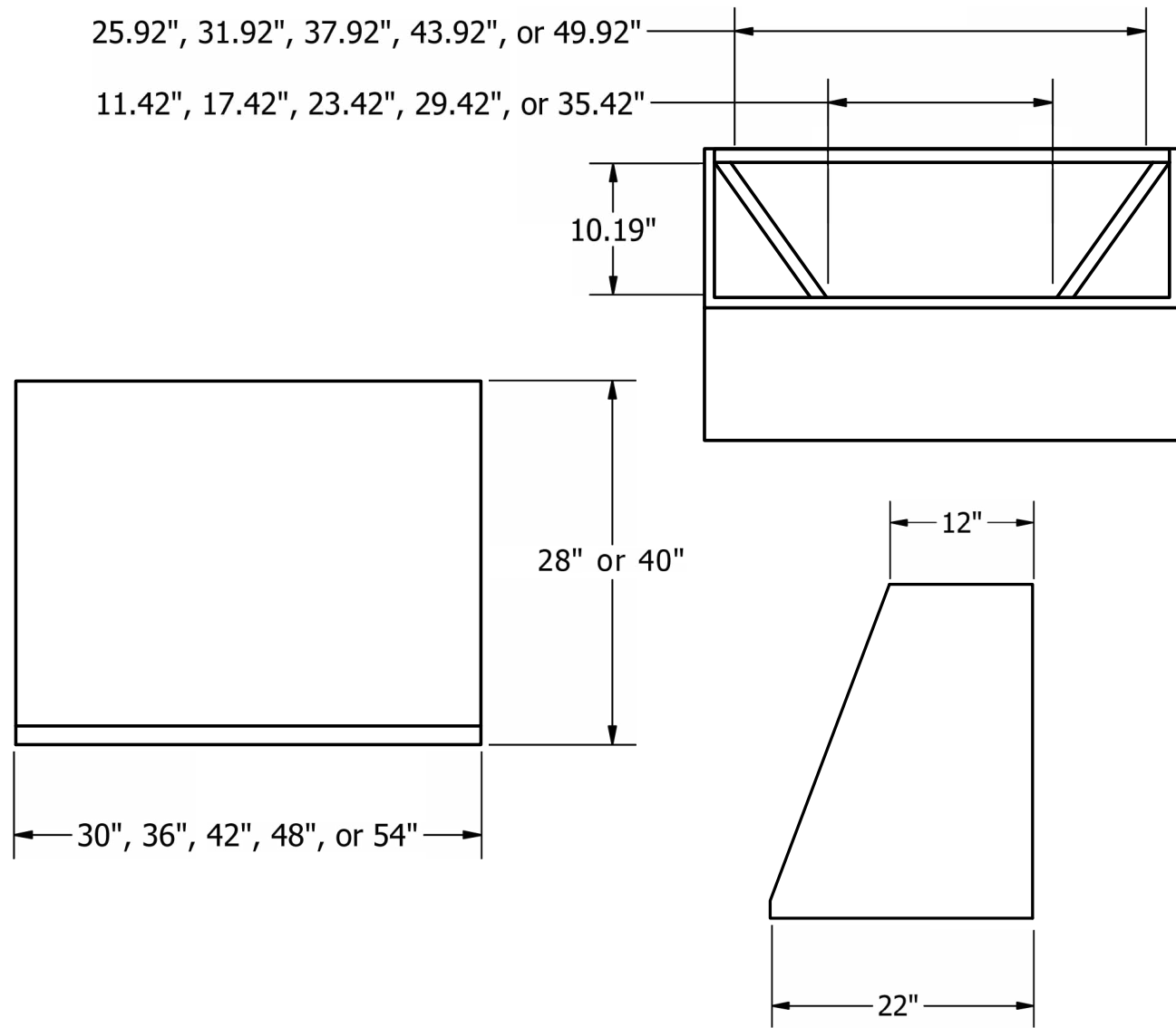
BOX



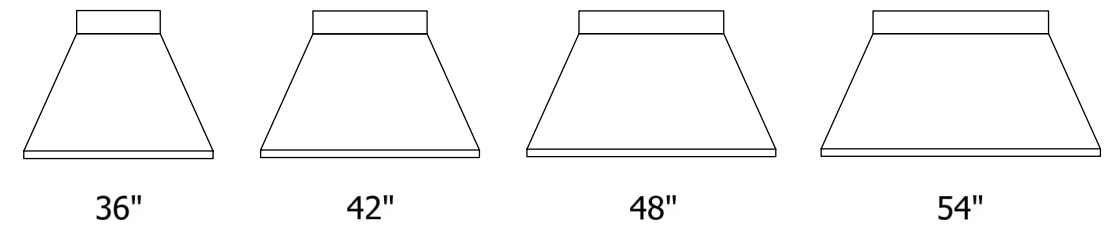
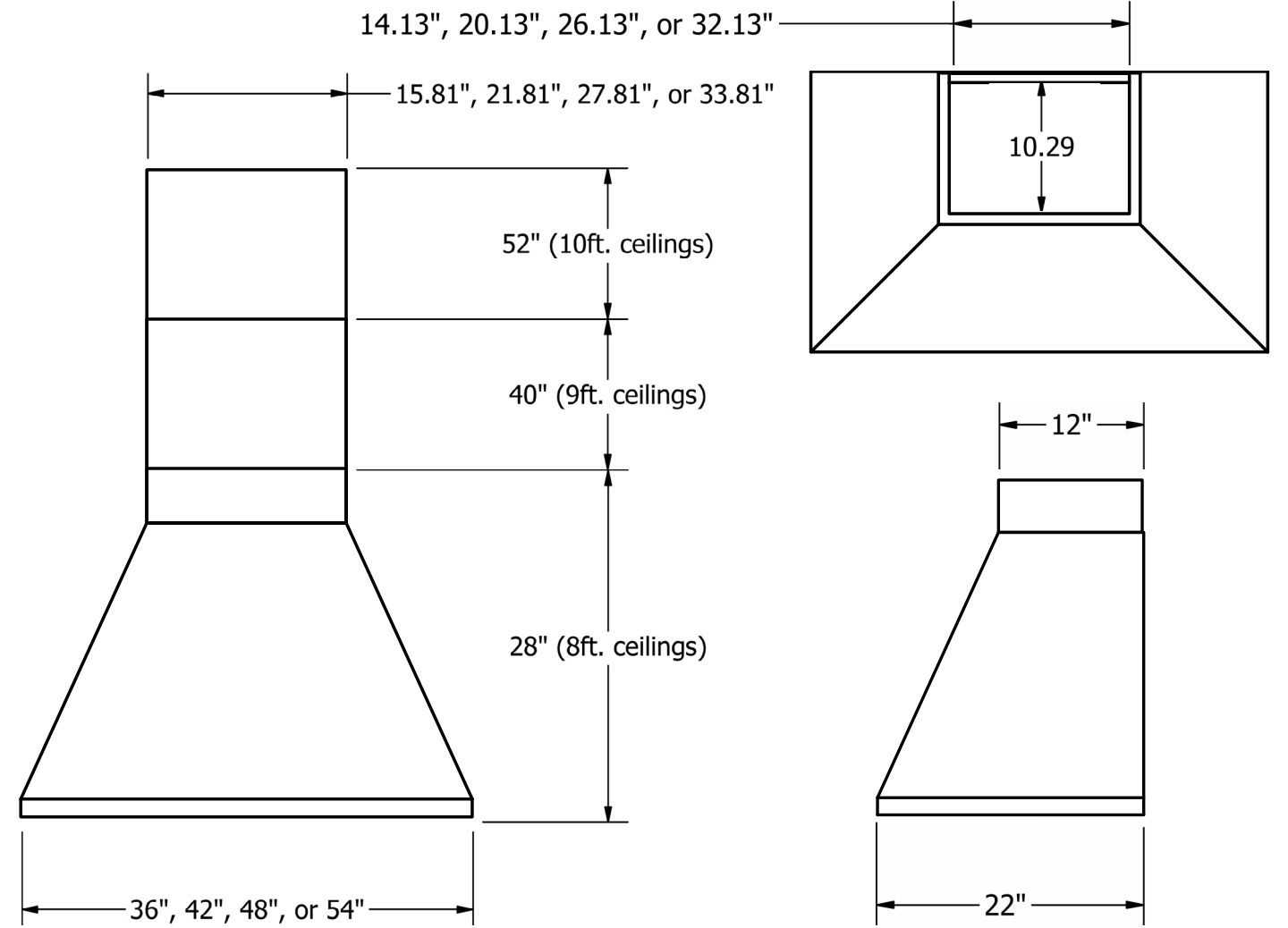
CAPSTONE

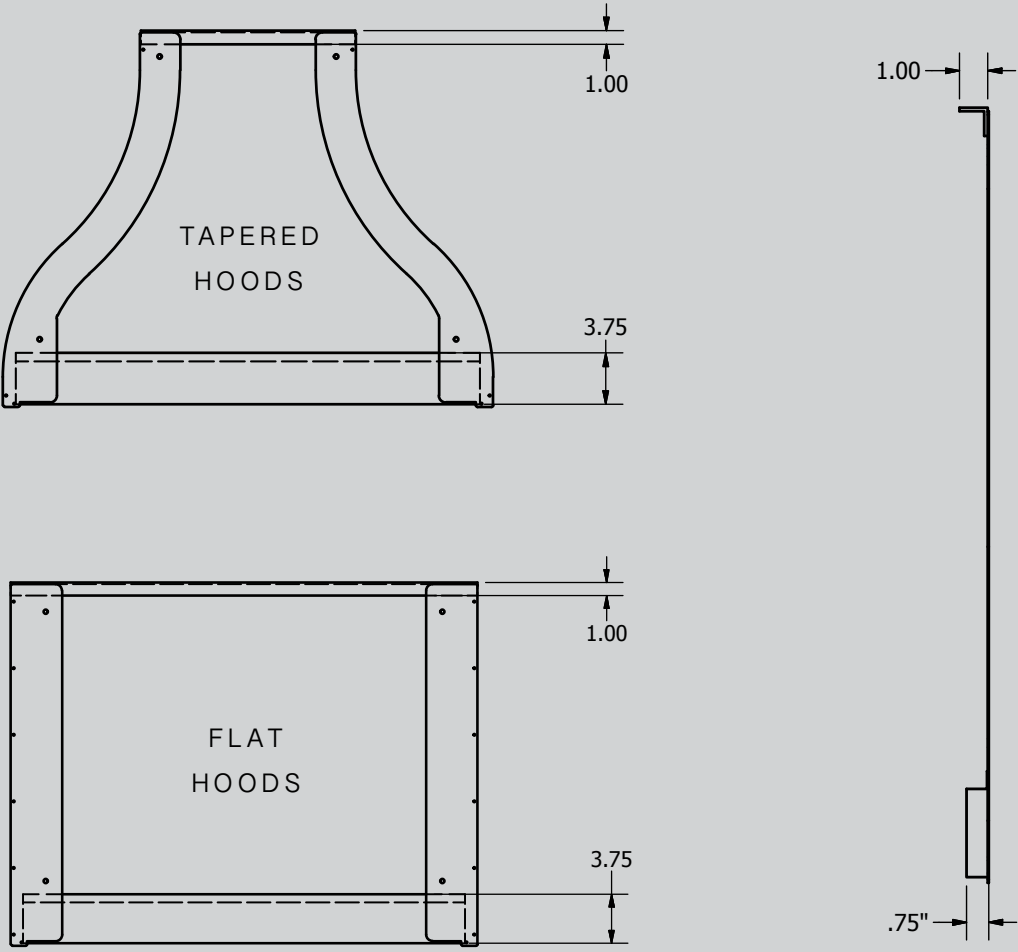
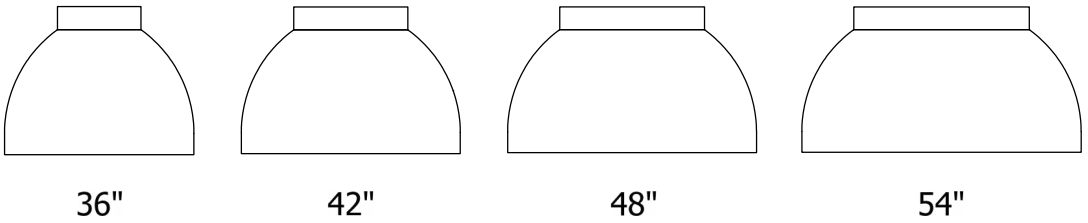
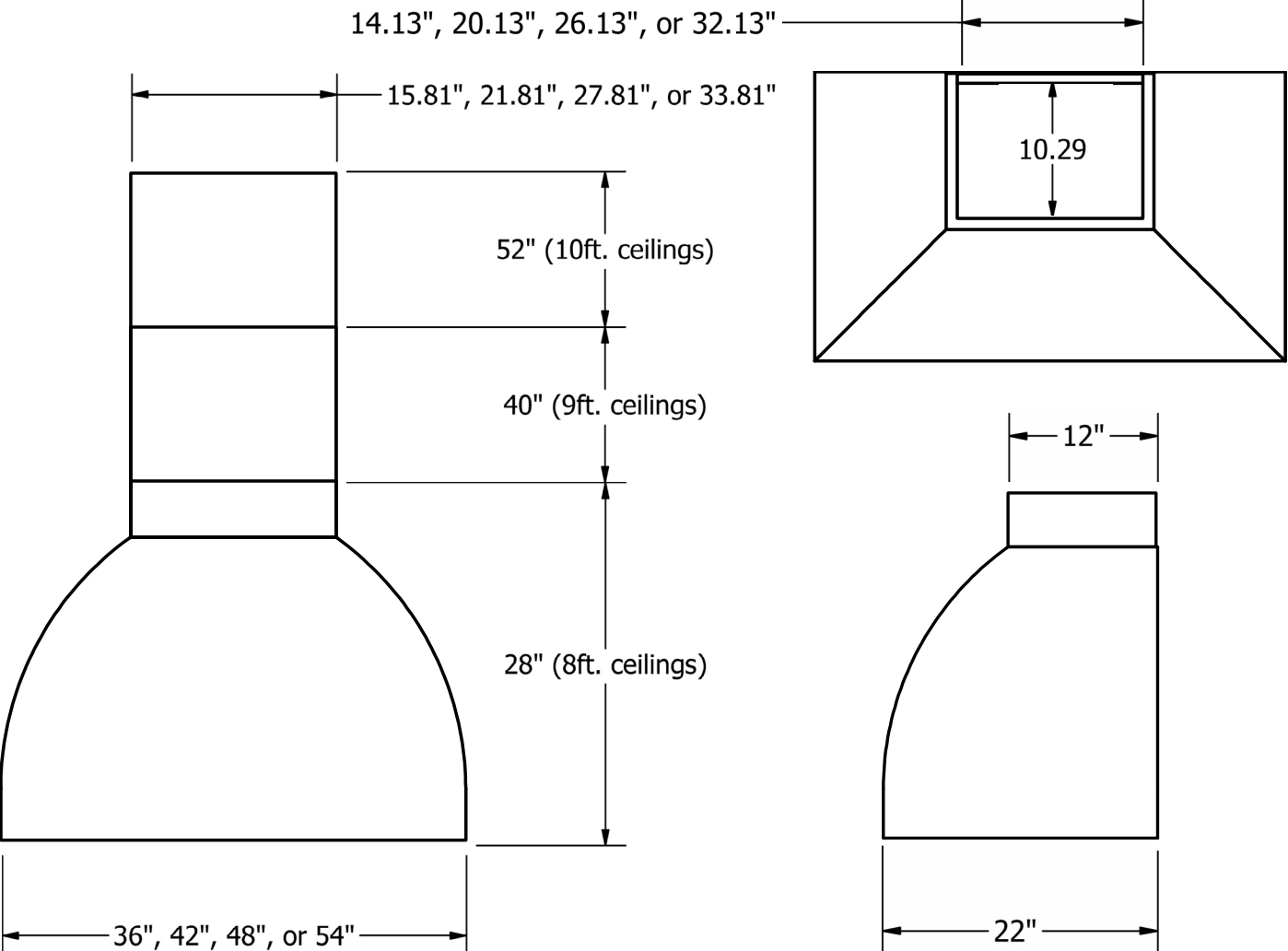


DELTA



PYRAMID





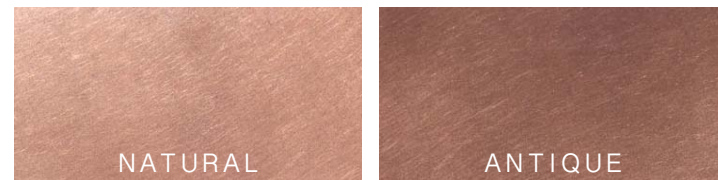
Haube hoods were designed to provide a flexible amount of space for a variety of ducting situations. Each one allows the options to duct through the top or back of the hood. This allows for more ducting options for an easier installation process. The sooner your hood is up, the sooner you can enjoy your thoughtfully crafted kitchen.

METAL FINISHES

BRASS



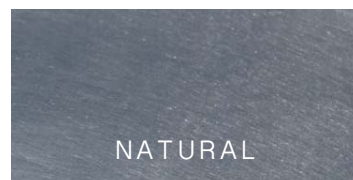
COPPER



STEEL



STAINLESS STEEL



ZINC



TEXTURES



VENTILATION

INSERT OPTIONS



AIR PRO

Our 30" hoods come with this American made power pack. Just small enough to fit in a hood, but still offers a 290 CFM or 390 CFM pull. For more info and specs, please visit www.vmi-inc.net.



FABER INCA PRO PLUS

Any hood 36"- 54" wide hood comes with this Italian beauty. It includes a wide variety of blower options and dishwasher safe baffle filters. For more info and specs, please visit www.faberonline.com.

BLOWER OPTIONS

Internal - Blower(s) located inside the fan system

Air Pro - Available in 290 or 390 CFM, Faber Inca Pro Plus - 300, 600, or 1200 CFM

Inline - Blower(s) located at an access point inside the home (example: attic)

Faber Inca Pro Plus - There are 14 different options in the range of 300 to 2000 CFM, please inquire about your needs for the appropriate inline blower.

External - Blower(s) located on roof or outside wall

Faber Inca Pro Plus - Available in 900 or 1200 CFM

