

INCA PRO PLUS INSERT RANGE HOOD



A VERSATILE PROFESSIONAL LINER AND HOOD. This all in one Pro Range Hood Liner from Faber is for custom cabinets available in 4 widths and 2 depths for all your needs. With 6 blower options, the Inca Pro Plus insert vent hood offers the power, style and functionality you need for today's custom pro hood applications.



Faber Inca Pro Plus installed in a Haube range hood.

AVAILABLE MODELS

model #	size / color	cfm*
INPL3019SSNB-B	30 x 19 stainless	choose
INPL3619SSNB-B	36 x 19 stainless	choose
INPL4219SSNB-B	42 x 19 stainless	choose
INPL4819SSNB-B	48 x 19 stainless	choose
INPL3622SSNB-B	36 x 22 stainless	choose
INPL4822SSNB-B	48 x 22 stainless	choose

* choose a blower	cfm	sones
IB600	600	1.0 - 7.0
IB1200	1200	2.0 - 12.0

KEY FEATURES



5 Watt LED bulbs (New)

Low consumption 5 watt LED bulb to light up your cooking area but use very little energy. Approved for higher BTU cooking.



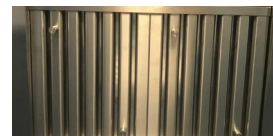
Easy Snap Mounting Clips

Installation with easy with built-in adjustable clips that tighten onto the sides of the cabinet floor



Pro Motor

The motor in this hood is surrounded in metal with all metal impellers for top performance



Baffle Grease Filters

Dishwasher safe SS metal filters capture grease and allow for easy clean up in the dishwasher

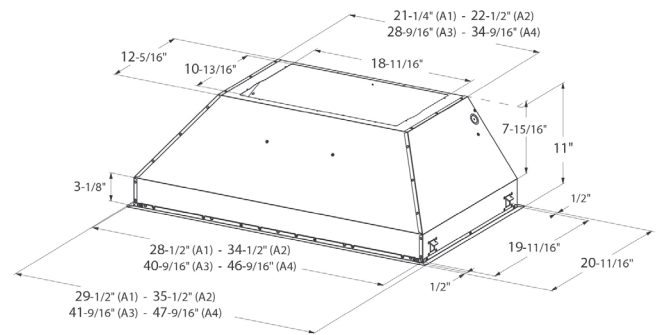
INCA PRO PLUS INSERT RANGE HOOD



DIMENSIONS

SPECIFICATIONS

cut out dimensions	see chart below
convertible to ductless / recirculating	yes – kit purchase separately
controls	variable speed dial
lighting	(2) or (4 - 48") x 5 (w) LED- one level
easy snap installation	Yes
ducting top	6" round OR 10" round
make up air compliant*	yes * (300 OR 400 CFM code areas)
grease filters	dishwasher safe SS baffle
AC Input	120 V - 60hz
AC power (IB300,IB400, IB600, IB1200, 900 RB, 1200 RB)	2.3, 2.7, 3.6, 6.2, 1.9, 2.6 Amps 260, 310, 420, 730, 220, 300 Watts

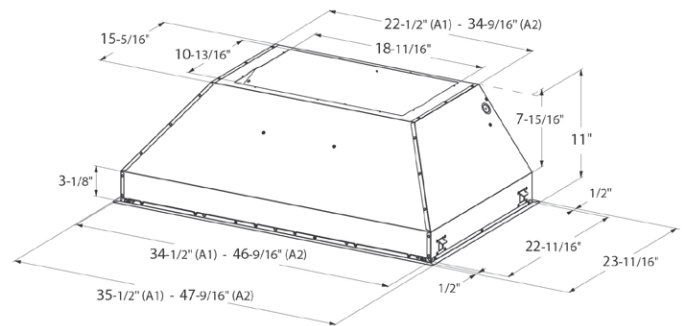


Overall 19" width

Index	Model #
A1	INPL3019SSNB-B
A2	INPL3619SSNB-B
A3	INPL4219SSNB-B
A4	INPL4819SSNB-B

PERFORMANCE

SPEED	1	2	3
CFM (600)	335	450	560
Sones	2.5	4.0	7.0



Overall 22" width

Index	Model #
A1	INPL3622SSNB-B
A2	INPL4822SSNB-B

ACCESSORIES

MUDAMPER6 / MUDAMPER8/MUDAMPER10 – Universal Make-Up Air Damper

Satisfies make-up air requirements, this kit uses an air switch to activate the make-up air damper to open and bring fresh air into the home when the hood fan is on. It then closes tightly when the hood is off. The CFM level is not reduced with this accessory.

FILTER1 – Charcoal Filter Kit

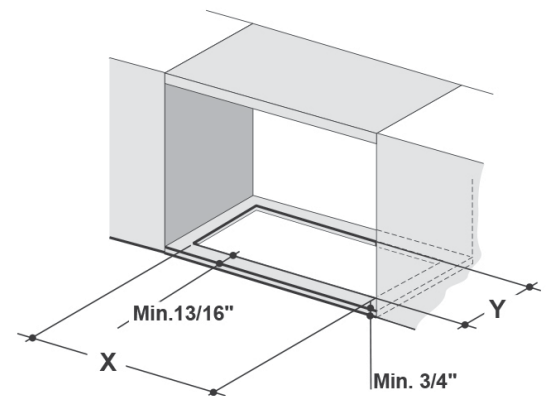
High quality charcoal filter for use when recirculating the air back into the kitchen. Filters out odor and should be replaced every 6 months.

INLBKIT – 10" In-line blower kit

Use to connect a separately purchased in-line blower or previously installed remote blower to the range hood. Includes a duct plate with a 10" round duct collar and a built in wiring box.

FILTER1LL – Long Lasting Charcoal Filter Kit

New washable charcoal filter can be recharged and washed up to 8 times. For use when recirculating the air back into the kitchen. Filters out odor and can last up to 4 years.



Cut Out

Outside Hood Dimension	Model #	X	Y
30" x 19"	INPL3019SSNB-B	28-5/8"	19-7/8"
36" x 19"	INPL3619SSNB-B	34-3/4"	19-7/8"
36" x 22"	INPL3622SSNB-B	34-3/4"	22-7/8"
42" x 19"	INPL4219SSNB-B	40-3/4"	19-7/8"
48" x 19"	INPL4819SSNB-B	46-3/4"	19-7/8"
48" x 22"	INPL4822SSNB-B	46-3/4"	22-7/8"



WARNING! Product specifications are subject to change without notification. Consult the installation instructions before you begin installing this range hood. * Check local make up air codes for guidelines.



Imagined in Italy